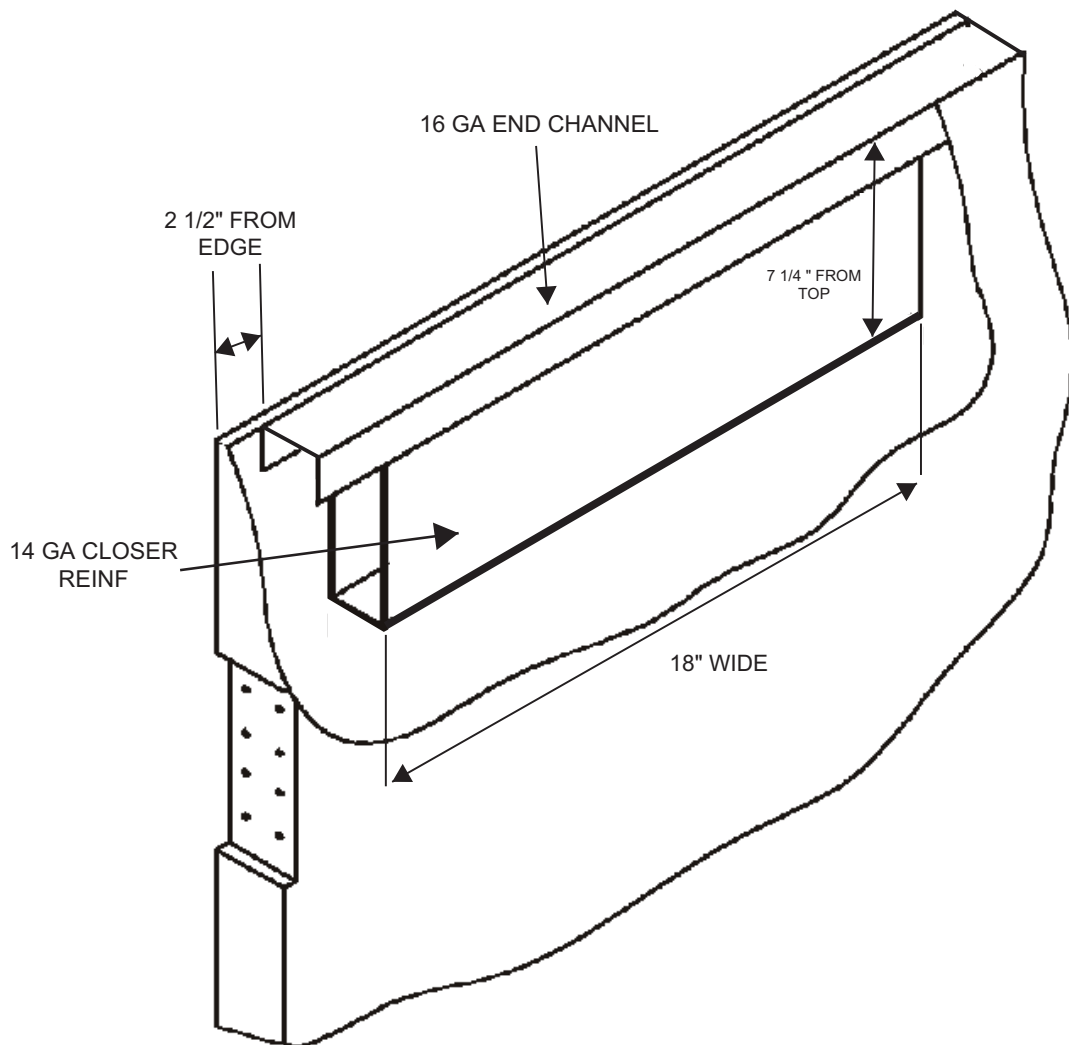


14 GA. CLOSER REINFORCEMENT



ANSI A250-8

Issue Date: January 2006

REVISED : 02/01/2009